

## NexiusZoom

### HIGHLIGHTS

- ✓ Bino and Trinocular stereo zooms
- ✓ Zoom 1:6.7 ratio, 0.67x to 4.5x
- ✓ Ergonomically designed stands
- ✓ 3 W LED illuminators
- ✓ 10 years warranty



NexiusZoom with pillar stand  
NZ.1902-P



NexiusZoom with rack and pinion stand  
NZ.1903-S

### Specifications

#### Eyepieces

Pair WF 10x/22 mm eyepieces

#### Head

Bino- or trinocular heads with 45° inclined tubes

Both eyepieces with  $\pm 5$  diopter adjustments

Interpupillary distance adjustable between 54 mm and 75 mm

#### Objective

Zoom 1:6.7 objective with 0.67x to 4.5x magnifications

Field of view from 33 mm to 4.9 mm

Working distance 110 mm

Auxiliary 0.5x / 0.75x / 1.5x and 2.0x lenses available

All optical parts are anti-fungus treated

#### Stands

Ergonomically designed pillar or rack and pinion stand with LED illumination and 2 object clamps

Ergonomically designed universal one arm or double arm stands without illumination

Alloy metal cast, hardened off-white painted

#### Focusing adjustment

Coarse adjustment

#### Illumination

The 3 W transmitted and incident LEDs illuminators can be used simultaneously

Both light intensities are adjusted separately

Models	Features					
	Bino	Trino	Pillar stand	Rack & Pinion stand	One arm stand	Double arm stand
NZ.1902-P	•		•			
NZ.1902-S	•			•		
NZ.1902-U	•				•	
NZ.1902-B	•					•
NZ.1903-P		•	•			
NZ.1903-S		•		•		
NZ.1903-U		•			•	
NZ.1903-B		•				•

Models



NZ.1902-P



NZ.1903-P



NZ.1902-S



NZ.1903-S



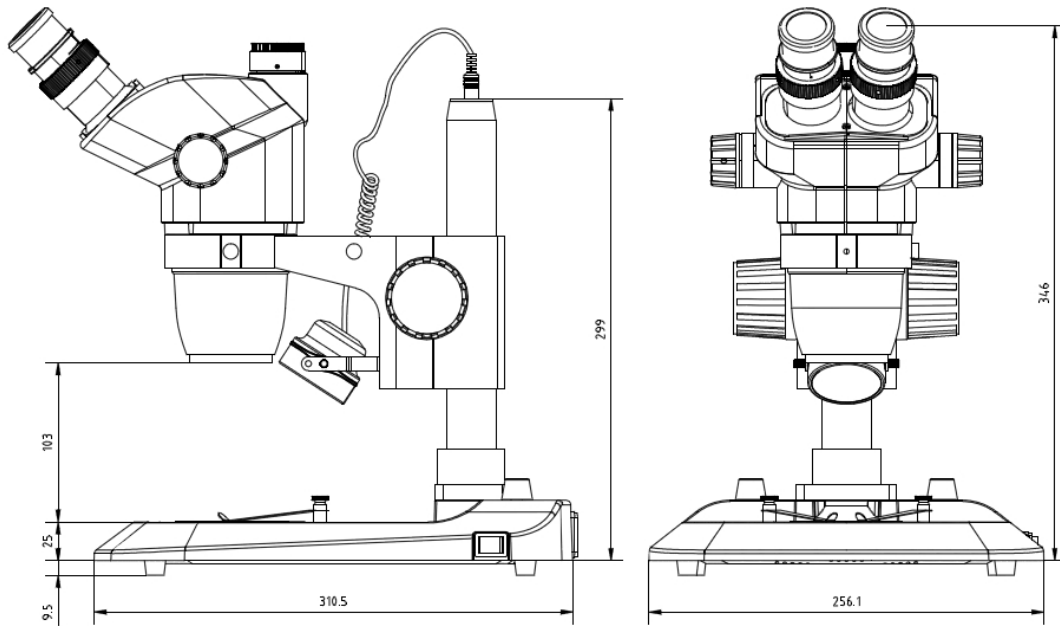
NexiusZoom with one arm stand  
NZ.1902-U



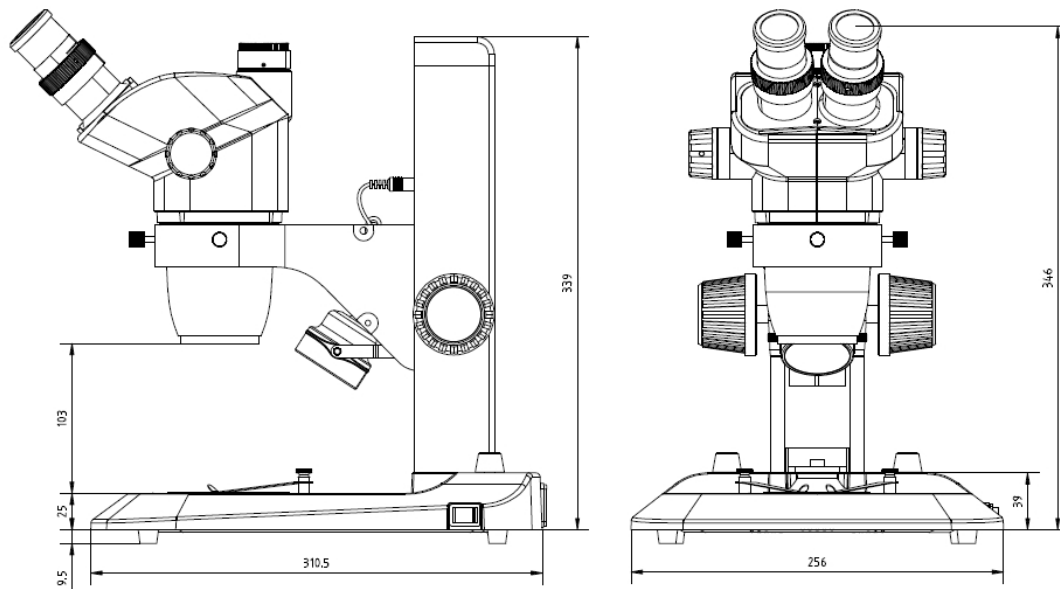
NexiusZoom with double arm stand  
NZ.1903-B

**Accessories & Spare parts**

- NZ.5302 NexiusZoom binocular head with eyepieces
- NZ.5303 NexiusZoom trinocular head with eyepieces
  
- NZ.6010 Pair HWF 10x/22 mm eyepieces
- NZ.6015 Pair HWF 15x/16 mm eyepieces
- NZ.6020 Pair HWF 20x/12 mm eyepieces
- NZ.6110 HWF 10x/22 mm eyepiece with micrometer
- NZ.6099 Pair of eyeshades
  
- NZ.8905 Auxiliary lens 0.5x, working distance 187 mm (not suitable for NZ.1902-S and NZ.1903-S)
- NZ.8907 Auxiliary lens 0.75x, working distance 125 mm
- NZ.8915 Auxiliary lens 1.5x, working distance 50 mm
- NZ.8920 Auxiliary lens 2.0x, working distance 33 mm
- NZ.8950 Protection glass for NexiusZoom head
- NZ.9956 Pair of stage plates for Nexius NZ.9010/NZ.9015 stand; one black and one white plate
  
- NZ.9010 Ergo rack and pinion stand with transmitted and incident LED illuminators
- NZ.9015 Ergo pillar stand with LED transmitted and incident illuminators
  
- NZ.9020 Universal one arm stand without NexiusZoom head holder
- NZ.9030 Universal double arm stand without NexiusZoom head holder
- NZ.9090 NexiusZoom head holder for NZ.9020/9030
- 65.980 Articulated arm stand with table clamp without NexiusZoom head holder
- 68.981 Head 76 mm holder for black universal stand 65.980
  
- NZ.9570 Pair object clamps for stage
  
- NZ.9833 C-mount adapter with 0.33x lens for 1/3" cameras  
Only for NZ.1903 models
- NZ.9850 C-mount adapter with 0.5x lens for 1/2" cameras  
Only for NZ.1903 models
  
- LE.1973 Ring light illuminator with 144 LED's and segment controller
  
- AE.1112 Object micrometer 50 mm divided in 500 parts on glass slide 76 x 26 mm

**Dimensions**


NZ.1903-P



NZ.1903-S